



GFM Maxi Shock Absorber

For use with gyro stabilized heads to reduce high & low frequency vibrations and hard impact shocks during high speed chases on rough and bumpy terrain.

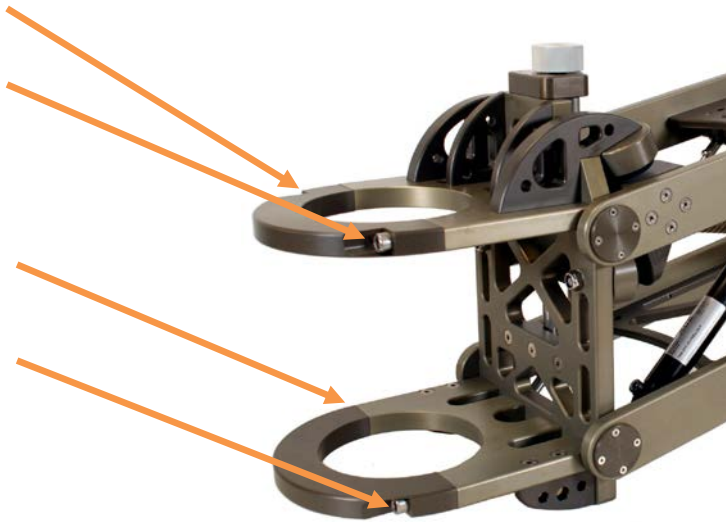
Weight :	41kg / 90lbs
Max Payload :	100kg/220lbs
Temp range:	-20° to +50° Celsius (-4 to +122° Fahrenheit)
Spring range:	30cm / 11"
Dimensions :	L103 x W26 x H40cm (L40" x W10" x H15")

Mounting the arm

The arm connects to scaffold tube or 150mm pole system and has a 180° horizontal adjustment range

Tube Mount System

The Maxi SA can be mounted on a 150mm tube.

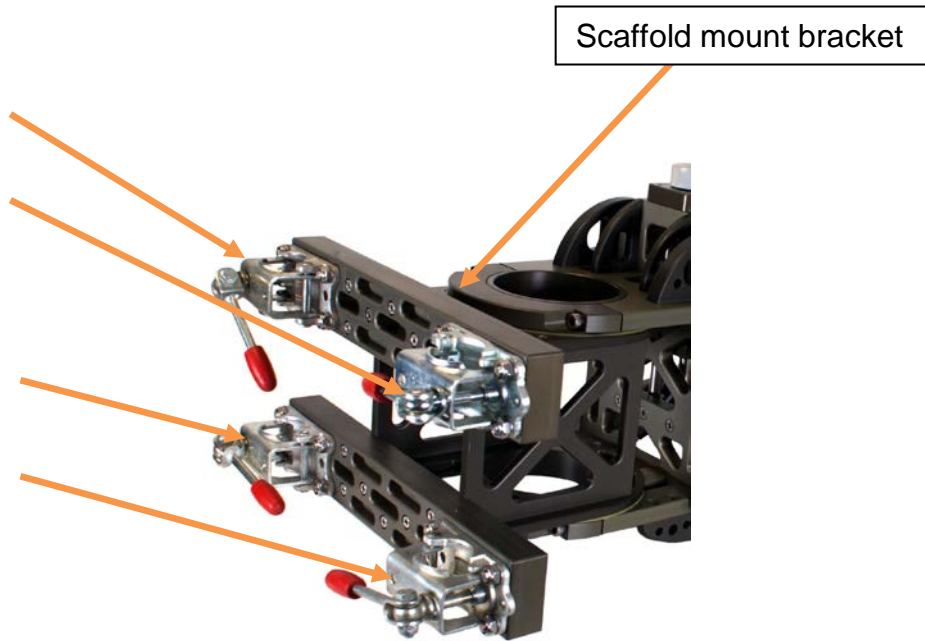


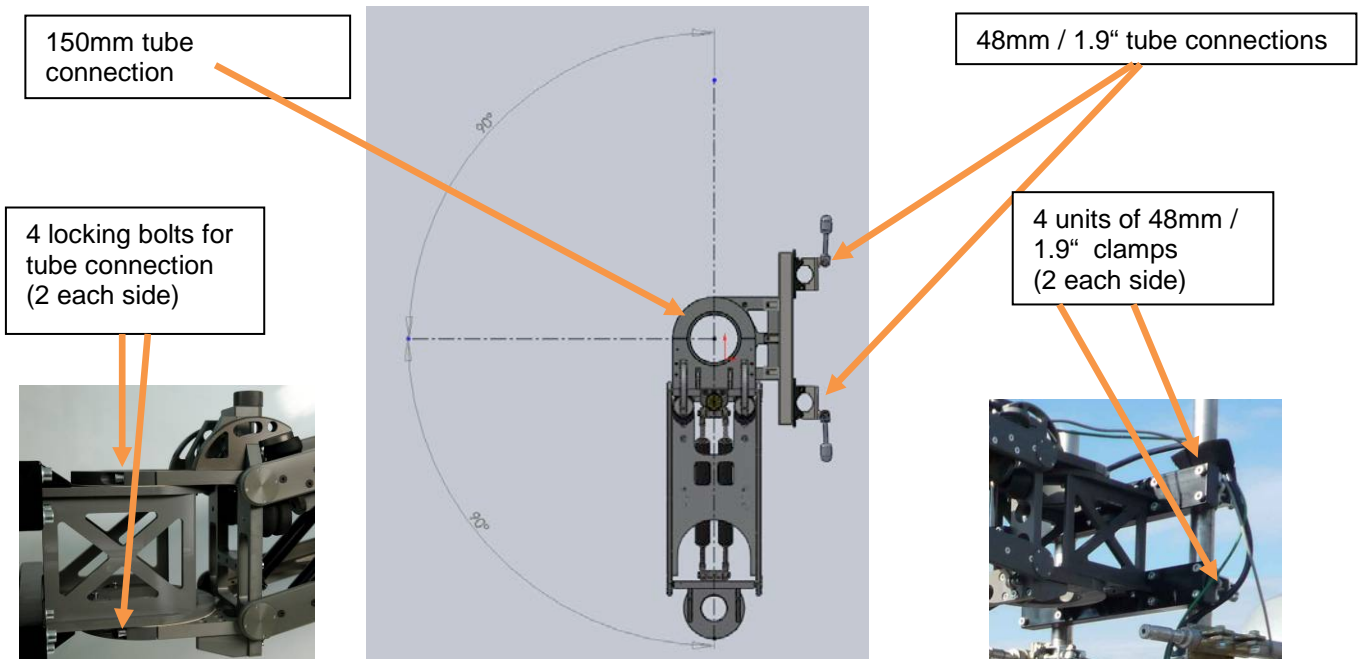
Connect the Maxi SA to the respective tube and secure by clamping it in the required position and tightening the 4 locking bolts.



Scaffold Tube Mount

The Maxi SA can be mounted on scaffold tube (48mm). To do so, connect the scaffold mount bracket to the Maxi SA and secure it by clamping it in the required position and tightening the 4 locking bolts.





When connected to either a 150mm/ 6" tube or 48mm / 1.9" scaffold tubes, ensure that all locking bolts and or scaffold clamps are locked securely. Recheck during operation

There are 2 arm levelling adjusters

1. Central levelling knob
2. Two levelling springs

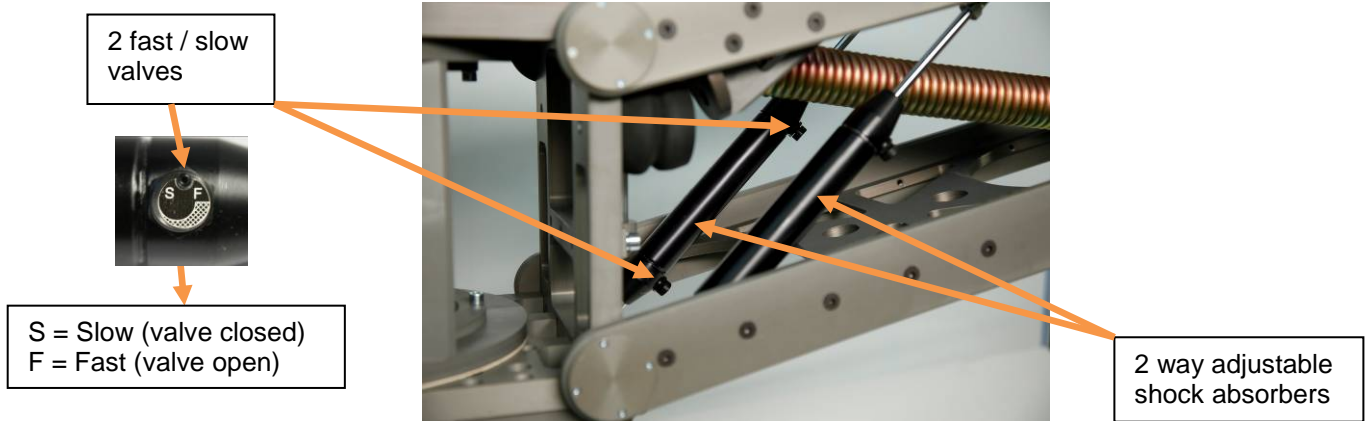


Turning the central levelling knob clockwise will raise the arm, anticlockwise will lower it.
 Open the locking nuts at the end of each spring. Turning the levelling springs clockwise will add tension to the arm as well as raising it, anticlockwise will release tension and lower it. After setting, relock the locking nuts at the end of each spring.

Note: Adjust both springs equally.

Each shock absorber has 2 fast/slow valves for adjusting the flow.
Note: the valves should never be set to maximum slow mode as this can damage the shock absorbers.

The valves should always be evenly adjusted and identically set.
Rebound and compression of the hydraulic valves should be set in such a way so that any loose swinging or vibration of the arm is eliminated.



Notes:

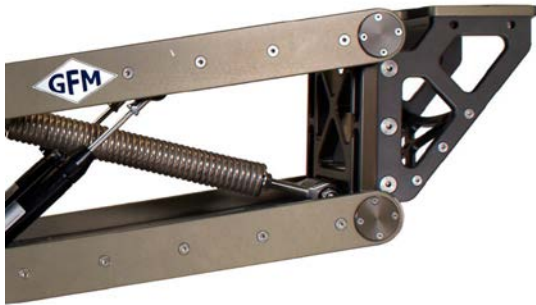
When the camera etc is mounted, arm should be almost horizontal to the mounting post. This adjustment can be made with the central levelling knob!



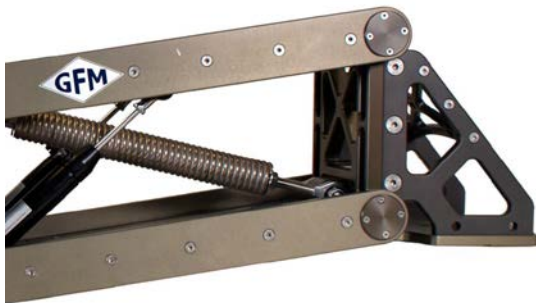
In general, the smoother the surface the lower the pressure setting, the rougher and bumpier the surface, the higher the pressure setting

When not in use we suggest releasing all tension on the springs and shocks during storage.

Front Mitchell Mount – Over slung



Front Mitchell Mount – Under slung



To change from over to under slung, remove the 3 bolts on the underside of the Mitchell plate and the 3 bolts on each side of the Mitchell mount.

